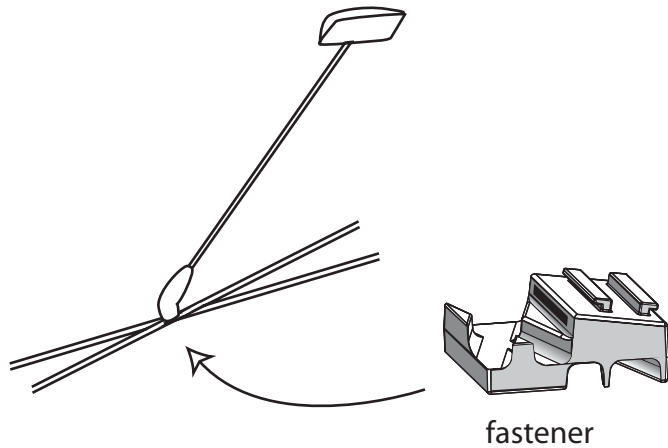
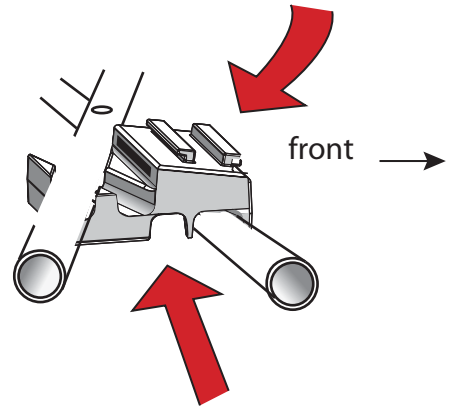


# Expand 2000

## Spotlight fastener

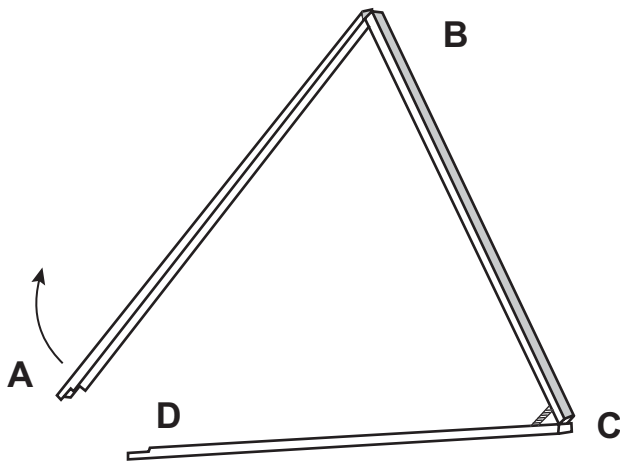


How to mount center spotlight fastener (cross)

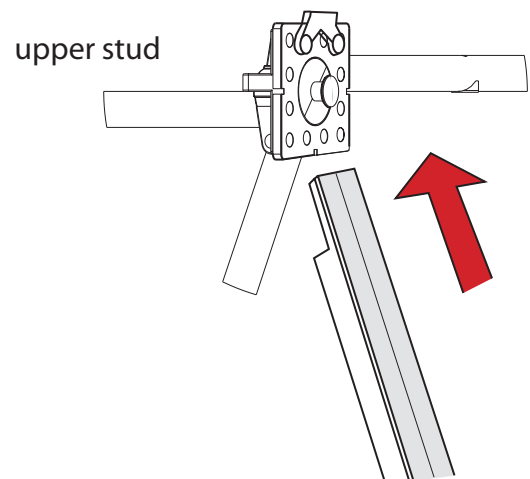


1. Mount the fastener standing in front of the fully erected Expand 2000.
2. Locate the center of the crossbars and slide the fastener into place from either side of the center, as illustrated.
3. You can now mount the light fixture foot onto the fastener by sliding the foot from one side to the other -grabbing the tracks on the topside of the fastener.

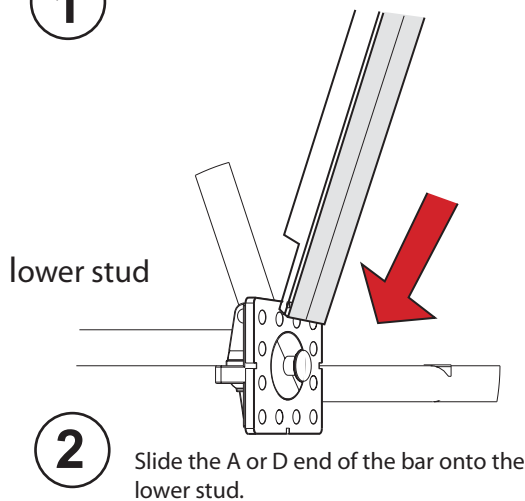
## Foldable magnetic bar



How to mount  
The foldable magnetic bar



- 1 Unfold the bar.



- 3 .. and then slide the other end onto the upper stud.

- 4 Push the two middlepoints (B and C) on to its respective middle studs.